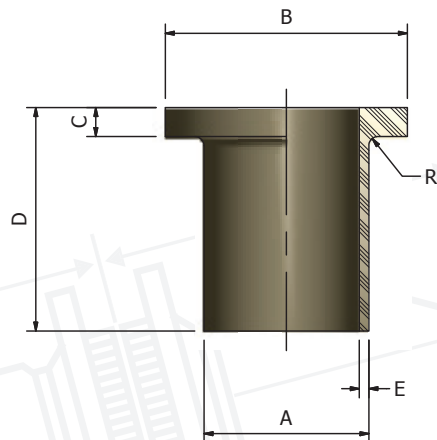


MOLDED BUTT FLANGE ADAPTER

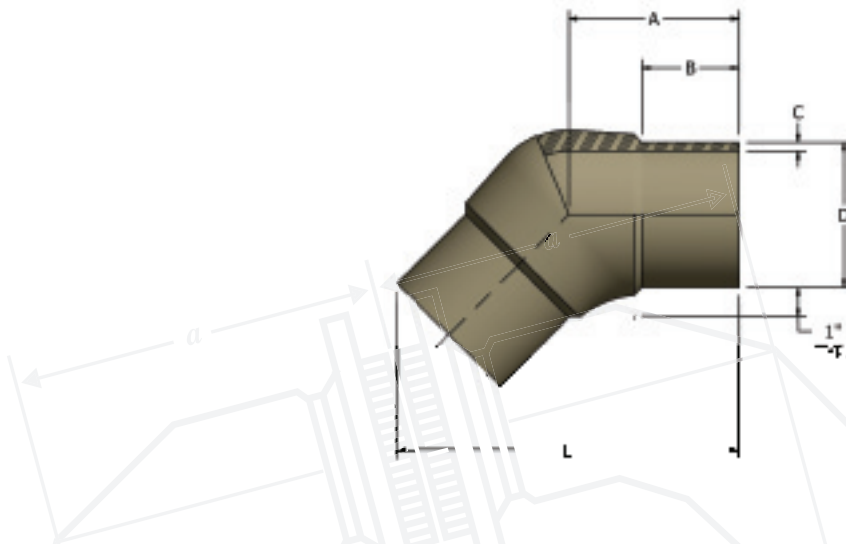


Nominal Size	A	B	C (DR 11-32.5)	C (DR 7-9)	D	R	Product Code
2"	2.375	3.75	0.300	0.400	6.000	0.375	10390200**
3"	3.500	4.63	0.750	0.750	6.250	0.375	10390300**
4"	4.500	6.60	0.800	0.800	6.500	0.500	10390400**
6"	6.625	8.13	0.700	1.100	8.000	0.500	10390600**
8"	8.625	10.38	1.100	1.400	10.000	0.500	10390800**
10"	10.750	12.75	1.100	1.700	12.000	0.500	10139000**
12"	12.750	15.50	1.300	1.900	12.000	0.500	10391200**
14"	14.000	17.00	1.500	2.300	12.000	0.500	10391400**
16"	16.000	19.50	1.700	2.600	12.000	0.500	10391600**
18"	18.000	20.13	1.900	2.900	12.000	0.500	10391800**
20"	20.000	23.31	2.100	3.200	12.000	0.500	10392000**
22"	22.000	25.25	2.300	3.500	12.000	0.500	10392200**
24"	24.000	27.69	2.500	3.800	12.000	0.500	10392400**
26"	26.000	29.37	2.700	4.100	14.000	0.500	10392600**
28"	28.000	32.00	2.900	4.500	14.000	0.500	10392800**
30"	30.000	34.00	3.100	4.800	14.000	0.500	10393000**
32"	32.000	36.12	3.300		14.000	0.500	10393200**
36"	36.000	40.50	3.700		14.000	0.500	10393600**
42"	42.000	47.13	3.100		21.000	0.500	10394200**
48"	48.000	53.50	3.500		21.000	0.500	10394800**
54"	54.000	59.63	3.300		21.000	0.500	10395400**

**Asterisks represent DR
Working pressure at 73.4°F. Other DR's available
Small sizes available

Measurement in inches

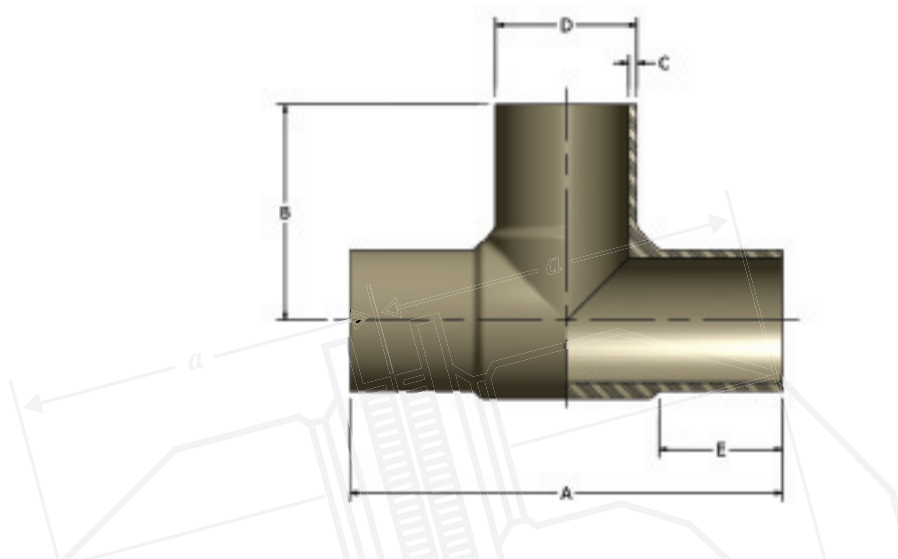
MOLDED
BUTT 45° ELBOW



Nominal Size	DR	PSI	A	B	C	D	E	Weight	Product Code
3/4"	11	100	2.28	2.05	0.095	1.050	4.29	0.05	1007007511
1"	11	100	2.48	2.17	0.119	1.315	4.69	0.08	1007010011
1 1/4"	11	100	2.83	2.44	0.151	1.660	5.31	0.14	1007012511
1 1/2"	11	100	3.07	2.64	0.173	1.900	5.91	0.21	1007015011
2"	7.3	250	3.20	2.45	0.325	2.375	-	0.38	1007020007
	9	200			0.264		-	0.37	1007020009
	11	160	3.23	2.64	0.216		6.38	0.35	1007020011
	17	100			0.140		0.23	1007020017	
3"	7.3	250	5.38	3.10	0.479	3.500	-	2.85	1007030007
	9	200			0.389		-	2.70	1007030009
	11	160	4.72	3.86	0.318		9.33	1.07	1007030011
	17	100			0.206		0.72	1007030017	
4"	7.3	250	5.38	3.00	0.616	4.500	-	3.78	1007040007
	9	200			0.500		-		1007040009
	11	160	5.31	4.21	0.409		10.63	2.00	1007040011
	17	100			0.264		1.32	1007040017	
6"	7.3	250	7.12	4.25	0.908	6.625	-	10.20	1007060007
	9	200			0.736		-		1007060009
	11	160	6.89	5.35	0.603		14.09	5.55	1007060011
	17	100			0.390		3.77	1007060017	
8"	7.3	250	10.00	6.00	1.182	8.625	-	22.70	1007080007
	9	200			0.958		-		1007080009
	11	160	8.46	6.54	0.785		17.48	11.64	1007080011
	17	100			0.508		8.03	1007080017	
10"	11	160	10.04	7.64	0.978	10.750	20.94	21.30	1007100011
	17	100			0.633		14.44	1007100017	
12"	11	160	10.63	7.80	1.160	12.750	22.64	31.84	1007120011
	17	100			0.750		21.30	1007120017	

* Working Pressure at 73.4°F. Other DR's available upon request.

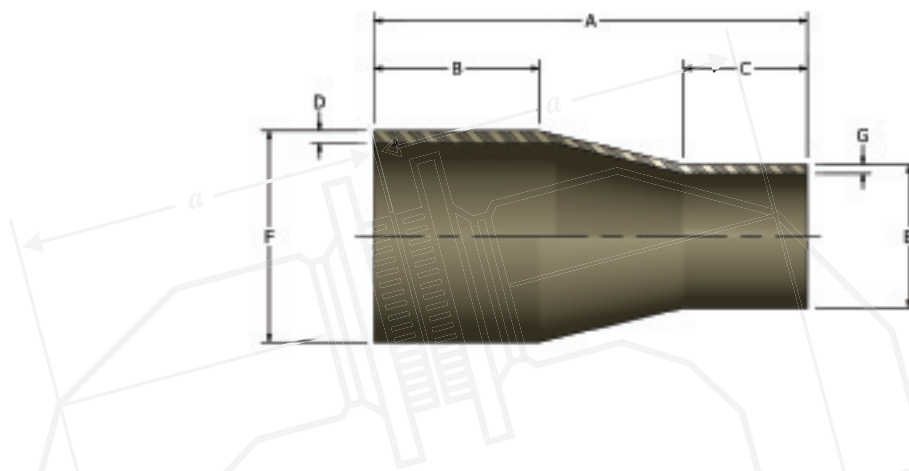
MOLDED BUTT TEE



Nominal Size	DR	PSI	A	B	C	D	E	Weight	Product Code
3/4"	11	100	5.00	2.50	0.095	1.050	1.77	0.09	1115007511
1"	11	100	5.67	2.83	0.119	1.315	1.77	0.17	1115010011
1 1/4"	11	100	6.61	3.31	0.151	1.660	2.01	0.30	1115012511
1 1/2"	11	100	7.99	4.00	0.173	1.900	2.52	0.47	1115015011
2"	7.3	250	10.25	5.125	0.325	2.375	2.88	1.40	1115020007
	9	200			0.264			1.18	1115020009
	11	160	8.66	4.33	0.216		2.48	0.82	1115020011
	17	100			0.140			0.53	1115020017
3"	7.3	250	12.13	6.06	0.479	3.500	3.00	3.83	1115030007
	9	200			0.389			3.73	1115030009
	11	160	11.81	5.91	0.318		3.54	2.18	1115030011
	17	100			0.206			1.45	1115030017
4"	7.3	250	12.44	6.22	0.616	4.500	3.00	5.25	1115040007
	9	200			0.50			5.50	1115040009
	11	160	13.78	6.89	0.409		3.94	4.02	1115040011
	17	100			0.264			2.58	1115040017
6"	7.3	250	17.25	8.63	0.908	6.625	4.25	16.70	1115060007
	9	200			0.736			1115060009	
	11	160	18.11	9.06	0.603		4.72	10.91	1115060011
	17	100			0.390			7.24	1115060017
8"	7.3	250	24.18	12.09	1.182	8.625	6.00	37.6	1115080007
	9	200			0.958			36.6	1115080009
	11	160	23.62	11.81	0.785		5.71	24.61	1115080011
	17	100			0.508			16.60	1115080017
10"	11	160	27.56	13.78	0.978	10.750	6.30	42.60	1115100011
	17	100			0.633			28.90	1115100017
12"	11	160	31.57	15.97	1.160	12.750	7.52	67.85	1115120011
	17	100			0.750			45.32	1115120017

* Working Pressure at 73.4°F. Other DR's available upon request.

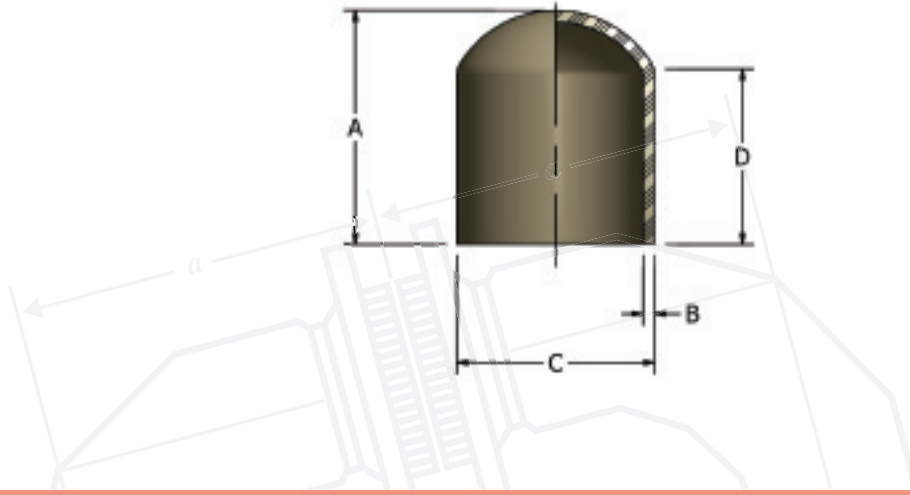
MOLDED BUTT REDUCER



Nominal Size	DR	PSI	A	B	C	D	E	F	G	Weight	Product Code
2" x 1 1/2"	11	160	6.50	2.95	2.64	0.216	1.900	2.375	0.173	0.29	1060021511
	17	100				0.140			0.112	0.20	1060021517
3" x 2"	11	160	7.87	3.94	2.95	0.318	2.375	3.500	0.216	0.70	1060030211
	17	100				0.206			0.140	0.47	1060030217
4" x 2"	11	160	9.06	4.33	2.95	0.409	2.375	4.500	0.216	1.21	1060040211
	17	100				0.264			0.140	0.80	1060040217
4" x 3"	11	160	9.06	4.33	3.94	0.409	3.500	4.500	0.318	1.41	1060040311
	17	100				0.264			0.206	0.94	1060040317
6" x 3"	11	160	11.42	5.12	3.94	0.603	3.500	6.625	0.318	3.21	1060060311
	17	100				0.390			0.206	2.18	1060060317
6" x 4"	11	160	11.42	5.12	4.33	0.603	4.500	6.625	0.409	3.54	1060060411
	17	100				0.390			0.264	2.39	1060060417
8" x 6"	11	160	12.80	6.10	5.12	0.785	6.625	8.625	0.603	7.31	1060080611
	17	100				0.508			0.390	4.92	1060080617
10" x 8"	11	160	14.25	6.25	6	0.978	8.625	10.750	0.785	12.20	1060100811
	17	100				0.633			0.508	15.50	1060100817
12" x 8"	11	160	16.54	7.09	6.10	1.160	8.625	12.750	0.785	19.11	1060120811
	17	100				0.750			0.508	12.82	1060120817
12" x 10"	11	160	16.54	7.09	6.69	1.160	10.750	12.750	0.978	21.66	1060121011
	17	100				0.750			0.633	14.43	1060121017

* Working Pressure at 73.4°F. Other DR's available upon request.

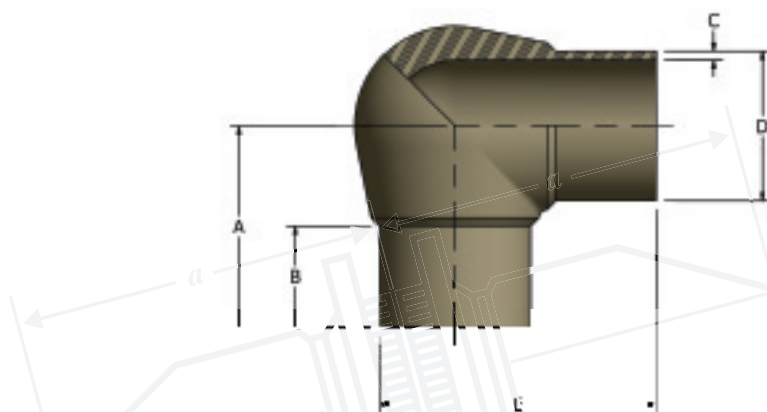
MOLDED BUTT CAP



Nominal Size	DR	PSI	A	B	C	D	Weight	Product Code
3/4"	11	100	2.05	0.095	1.050	1.77	0.02	1142007511
1"	11	100	2.20	0.119	1.315	1.77	0.04	1142010011
1 1/4"	11	100	2.52	0.151	1.660	1.99	0.07	1142012511
1 1/2"	11	100	2.83	0.173	1.900	2.20	0.10	1142015011
2"	7.3	250	4.25	0.325	2.375	-	0.32	1142020007
	9	200		0.264		-		1142020009
	11	160	3.23	0.216		2.52	0.19	1142020011
	17	100		0.140				0.12
3"	7.3	250	4.80	0.479	3.500	-	1.00	1142030007
	9	200		0.389		-		1142030009
	11	160	4.72	0.318		3.70	0.59	1142030011
	17	100		0.206				0.39
4"	7.3	250	8.50	0.616	4.500	-	2.37	1142040007
	9	200		0.500		-		1142040009
	11	160	5.31	0.409		3.98	1.07	1142040011
	17	100		0.264				0.71
6"	7.3	250	9.88	0.908	6.625	-	4.65	1142060007
	9	200		0.736		-		1142060009
	11	160	6.89	0.603		4.84	2.88	1142060011
	17	100		0.390				1.98
8"	7.3	250	5.00	1.182	8.625	-	5.60	1142080007
	9	200		0.958		-		1142080009
	11	160	8.66	0.785		5.83	6.32	1142080011
	17	100		0.508				4.23
10"	11	160	9.84	0.978	10.75	6.30	10.90	1142100011
	17	100		0.633			7.53	1142100017
12"	11	160	11.77	1.160	12.75	7.52	18.39	1142120011
	17	100		0.750			12.40	1142120017

* Working Pressure at 73.4°F. Other DR's available upon request.

MOLDED
BUTT 90° ELBOW



Nominal Size	DR	PSI	A	B	C	D	E	Weight	Product Code
3/4"	11	100	2.68	2.05	0.095	1.050	3.20	0.05	1016007511
1"	11	100	2.91	2.17	0.119	1.315	3.57	0.09	1016010011
1 1/4"	11	100	3.35	2.44	0.151	1.660	4.18	0.16	1016012511
1 1/2"	11	100	3.70	2.64	0.173	1.900	4.65	0.22	1016015011
2"	7.3	250	5.06	2.88	0.325	2.375	6.25	1.08	1016020007
	9	200			0.264			0.93	1016020009
	11	160	4.25	2.95	0.216		5.44	0.43	1016020011
	17	100			0.140		0.28	1016020017	
3"	7.3	250	6.00	3.00	0.479	3.500	7.75	2.93	1016030007
	9	200			0.389			1016030009	
	11	160	5.91	4.06	0.318		7.66	1.25	1016030011
	17	100			0.206		0.80	1016030017	
4"	7.3	250	6.00	3.00	0.616	4.500	8.25	4.05	1016040007
	9	200			0.500			1016040009	
	11	160	6.89	4.53	0.409		9.14	2.42	1016040011
	17	100			0.264			1.64	1016040017
6"	7.3	250	8.63	4.25	0.908	6.625	11.94	13.60	1016060007
	9	200			0.736			13.40	1016060009
	11	160	9.06	5.63	0.603		12.37	6.76	1016060011
	17	100			0.390			4.80	1016060017
8"	7.3	250	11.81	6.00	1.182	8.625	16.12	26.50	1016080007
	9	200		7.20	0.958			1016080009	
	11	160			16.13		0.785	15.08	1016080011
	17	100		0.508			10.05	1016080017	
10"	11	160	13.78	8.27	0.978	10.750	19.15	27.06	1016100011
	17	100			0.633			18.33	1016100017
12"	11	160	14.96	8.46	1.160	12.750	21.33	41.05	1016120011
	17	100			0.750			27.47	1016120017

* Working Pressure at 73.4°F. Other DR's available upon request.